



SPLITMASTER 650

GREAT INNOVATION

in the world of wireless timing systems!

TAG Heuer's SPLITMASTER is a revolutionary timing device that combines the precision of GPS technology and the proven reliability of thermo-compensated time bases linked by a powerful radio module. These unique features ensure the transmission and reception of your timing data.

- ▷ The Receiver acts as the master time base for the overall system using its internal timer. The Transmitter time base is constantly monitored and updated through radio communication when the Transmitter sends time data to the Receiver.
- ▷ The Receiver unit is also equipped with a GPS satellite module which allows the automatic setting of the system to the exact time-of-day and further monitors the working precision of the unit and the overall system during the timing session. The perfect synchronization of the SPLITMASTER system is guaranteed by the GPS time base of the Receiver unit which in turn monitors the time base of the Transmitter (s) via VHF radio connection.
- ▷ The Transmitter unit sends real start times in time-of-day by radio to the Receiver whenever the corresponding timing impulses are generated at the start.
- ▷ The Receiver collects that start data and then sends all timing information (the start and finish times) directly to a PC for processing. Triggering impulses which can drive a secondary timing device (back up system) are also generated and available on separate outputs.
- ▷ The SPLITMASTER memorizes all timing information on the Transmitter and on the Receiver. In case of radio transmission difficulties or GPS reception failure, no times generated can be lost ! All timing data can be printed or downloaded to a PC at a later time if necessary.
- ▷ The SPLITMASTER also allows for radio voice communication between start and finish. This communication is carried out by our TAG Heuer professional headsets with a Push-to-Talk button.
- ▷ Last but not least, the Transmitter can be used as a radio data transmitter and connected to a numeric keyboard for competitor number entry. It can also transmit the memory of a timing device or drive remotely installed displays.



OTHER ADVANTAGES OF THE SPLITMASTER:

- Visual and audio indicators allow you to verify the transmitted and received timing impulses or data.
- Two-way quality control of the radio transmission, with the possibility of re-transmitting timing information that is not acknowledged.
- Each unit can be used as a transmitter or as a receiver (except with GPS use)
- All useful timing parameters are manually programmable (without using a PC).
- Setting of time of day with synchronization of the whole system, use of the GPS with choice of the time zones, etc.
- The transmitter can be used to measure speed and an intermediate time. The distance between the photocells is easily selectable.
- The "VHF" frequency and the power are programmable by your TAG Heuer official agent

TECHNICAL SPECIFICATIONS

Time Base

Timing device of which each unit integrates a thermocompensated time base and a radio module programmable at the time-of-day or automatically by GPS. Sequential numbering of times from 1 to 9'999.

Memory

1'980 times

Timing Accuracy

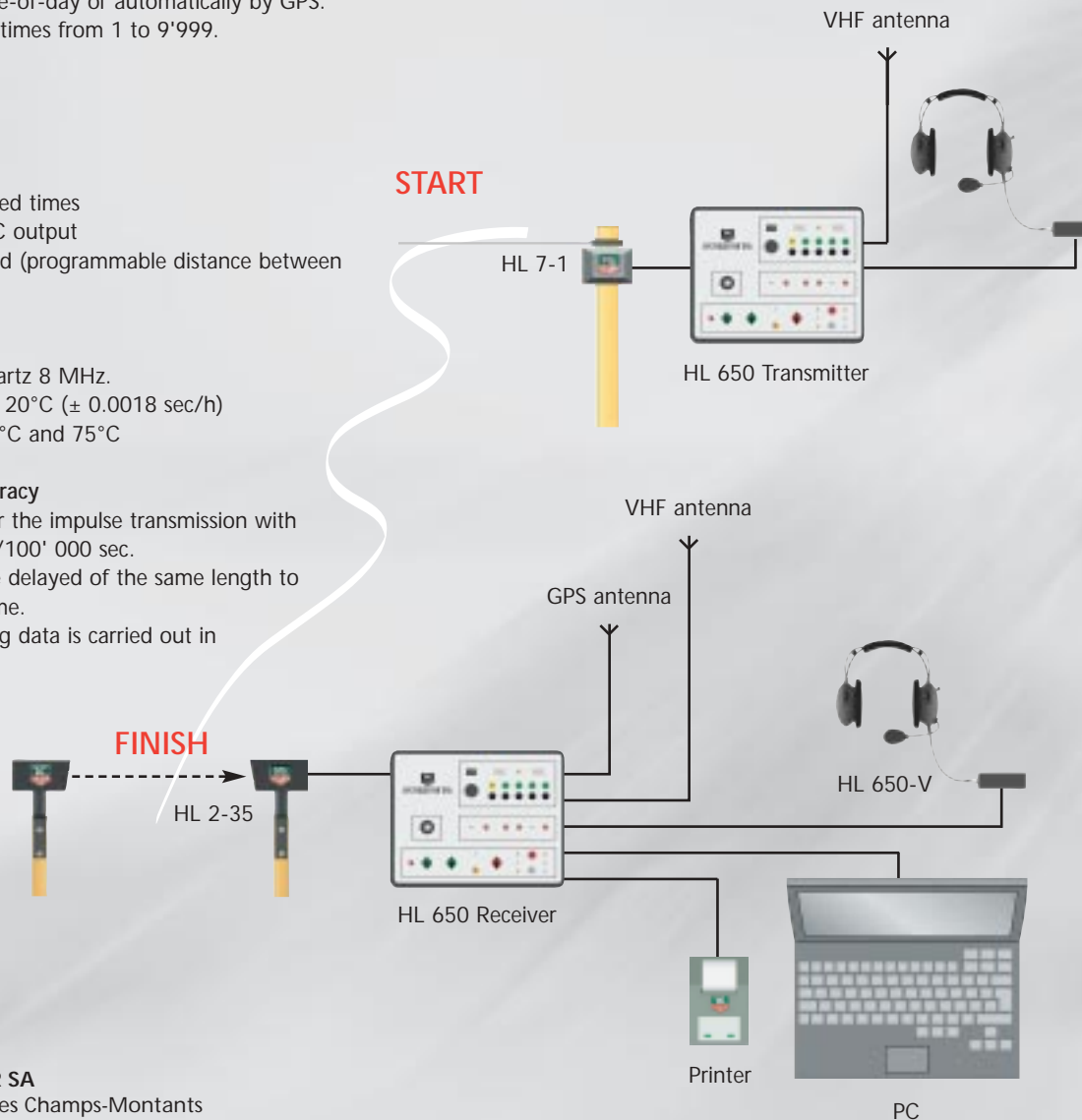
1/1'000 sec. on the printed times
1/100'000 sec. on the PC output
1/100 Km/h for the speed (programmable distance between photocells)

Time Base Accuracy

Thermocompensated Quartz 8 MHz.
Better than ± 0.5 ppm at 20°C (± 0.0018 sec/h)
 $\pm 2,5$ ppm between - 20°C and 75°C

Radio Transmission Accuracy

Fixed delay of 600 ms for the impulse transmission with precision better than $\pm 5/100'$ 000 sec.
The finish impulse can be delayed of the same length to guarantee the real net time.
The transmission of timing data is carried out in real time.



Mean Operating Frequencies

VHF programmable from 146 to 174 MHz
(exclusively by your TAG Heuer agent)

Transmission Mode

Two-way (Half-duplex)

Programmable Power

At 2.5 W or 5 W (exclusively by your TAG Heuer agent)

Range

Depends on the topographic configuration and of the antenna type and positioning. Better behavior than a traditional radio transmission system.

Power

Internal: 12 V rechargeable
External: 12 ÷ 18 V DC

Autonomy

24 hours with 1 impulse or data transmission every minute (2.5W).
More than 10 hours at -20° C

Operating Temperature

From - 20°C to + 60°C

Weight

Each unit 4.9 Kg

Dimensions

280 x 240 x 80 mm

Complete set includes

- 1 Transmitter
- 1 Receiver
- 1 Charger
- 2 Antennas VHF (Type FSP 2/h)
- 2 Antenna connection cables (5 m)
- 1 GPS antenna with connection cable

Options:

- Additional Transmitter (s) / Charger (s)
- Headsets and adaptors for voice communication (HL 650-V)
- External fixation for the transmitter
- Professional antenna (s)



TAG HEUER SA

14a, Ave. des Champs-Montants
CH-2074 Marin, Switzerland
T : 032 755 60 00 • F : 032 755 66 82
www.tagheuer-timing.com