



PROFESSIONAL TIMING

## DOCKING GPS – GSM

### User Manual

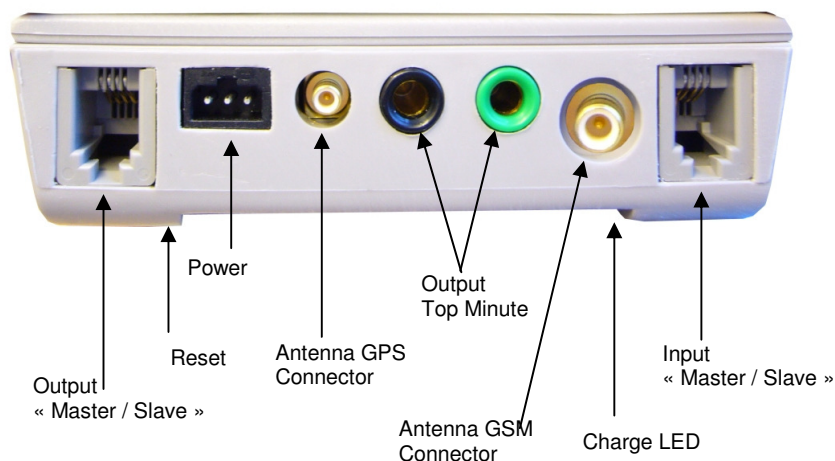
Version 01/2009



## 1. General

---

- The GPS Docking is equipped with a Li-Ion accumulator ensuring exceptional autonomy to the Chronoprinter 540, even at very low temperatures (-20°C / -4 ° F).
- A satellite detection module « GPS » ensures the automatic Time of Day synchronization and precision control.
- A GSM communication modem allows wireless connection between two CP540's through the mobile telephone network.



- **RESET button** - in case of a problem with the Docking. To **RESET**, press the mini contact located under the identification plate of the Docking. Use a small unfolded blunt instrument to gently depress.

## 2. Important recommendation

---

- To guarantee the security of your timekeeping, it is necessary to use your CP 540 with the internal batteries in a charged state
- Do not forget to charge the Docking before its use (see « How to charge the Docking »)
- If the system is not used for several days, we recommend you to disconnect the Docking from the Chronoprinter, and remove the batteries from the CP 540.
- Do not forget to replace the « red blanking plug into the DOCKING » on the CP 540 to protect its connector.
- Protect the Docking with its original packing.
- We recommend you to use the synchronization by GPS between two CP 540, which are communicating Modem to Modem. The precision is thus guaranteed for your timing.
- If you do not wish to use the Synchronization by GPS, please be sure to input the same date and time on both systems before synchronizing them.

### **IMPORTANT**

It is essential to update the software inside the CP 540 + Docking before initial use.  
You will find the software version on our internet site ([www.tagheuer-timing.com](http://www.tagheuer-timing.com)).

## 3. Docking connection

---

- Remove the « DOCKING red blanking plug » from the CP 540 which gives access to the docking connector.
- Place the « DOCKING red blanking plug » on the Docking at the reserved place under the female connector.
- Place the CP 540 on the DOCKING and press firmly to ensure a good connection.

## 4. How to Use GPS

---

- Carefully connect the GPS antenna cable in the socket (21) in its connector.  
The GPS antenna must be installed in a clear open place (outdoor) with an unobstructed view of the sky in order to correctly receive the satellite signals generated by the GPS system.
- Menu **GPS (ON/OFF)**
  - Select **GPS ON** and confirm
  - Select the time difference between GMT time and your time zone (ex GMT – 2, in the west of GMT or GMT + 2 in the east of GMT).
  - Validate your choice (this information is stored in memory).
  - The display shows initially **GPS Searching**, then **GPS Active** as soon as it locates several satellites.
  - **GPS Searching** is also printed with the indication **GPS UTC Delta = 15 sec**. Then **GPS ready for Synchro**.
  - Validate **2** times under GSP to make the Synchro (mode Synchro)The synchronization of Time of the Day with the correct date is automatically made.

### **REMARK**

#### **UTC TIME**

The time provided by the satellites is GPS (terrestrial hours) of a certain number of seconds (15 seconds since January 2009).

This information is transmitted by satellites every 12,5 mins.

It remains in the GPS almanac, this allows fast synchronization.

### **WARNING**

When you remove the antenna connector, firmly hold the connector. **Never draw by the cable.**

## 5. Remarks on GPS

---

► **If GPS signal is Lost** (poor positioning of the antenna), the printer indicates:

- Synchro GPS lost
- The time of day

The display of the time will flicker along with **GPS LOST**.

If the GPS signal is synchronized again, the printer indicates (repositioning of the antenna)

- GPS Active
- Synchro GPS found
- Time of the day
- DEV 3.0  $\mu$ sec (for example)

**Remark:**

Automatic resynchronization of the time base of the CP 540 (temporary loss of GPS signal) is acceptable in conditions where the drift of the time does not exceed 100  $\mu$ sec (1/10'000 of a second).

In case of resynchronization, the drift (DEV) is always printed.

If the drift value is over 100  $\mu$ sec, the base time of the CP 540 is the reference for the rest of the time keeping. The GPS can be switched OFF.

► **If the Docking is disconnected** the printers indicates:

- Docking disconnected
- Synchro GPS lost
- Time of the day

When the Docking is reconnected the printer indicates


- Docking Connected with its serial number and Software version
- GPS Searching with GPS UTC Delta = 15sec
- GPS Active
- Synchro GPS founded
- Time of the Day
- DEV 2.4  $\mu$ sec (for example)

## 6. How to use GSM

---

### ATTENTION

The PIN number for the SIM Card **should be 2103**.

- Fit the GSM antenna to its connector.
- Switch ON the CP 540 by pressing the Key **ON** for 5 seconds
- The LCD display shows :
  - Docking with 4 arrows directed to the top (arrow outgoing). These arrows show the status of the 4 Data communication outputs (via RS232 or GSM).
  - Charge status of the Docking (ex 85%) or Power supply presence
  - **GPS OFF**
  - **GSM OFF**
- The incoming message of the CP 540 is printed with indication «Docking connected », its serial number and software version.
- Validate (OK) by pressing on ENTER (  ).  
The Docking menu shows
  - **Status** (of the Docking)
  - **GPS (ON/OFF)**
  - **GSM (ON/OFF)**

If the GPS is used for the Synchronization, please refer to the chapter « how to use GPS »

If the Synchro with GPS is not used, the display shows « Mode Synchro », select **Manual or External**. Synchronize both CP 540 with the same date and time.

- As soon the Synchro is done, come back to Docking GSM (ON/OFF)
  - Select **GSM ON** and validate
  - LCD shows Modulation
    - > V.32 (related to the analog networks)
    - ▶ V.110 (related to the numerical networks)
  - Select V.110 (the more popular choice for communicating Modem to Modem).
  - **GSM Ready** and **Modem Setting V.110** are printed
- Press one time on « **F** » to return the Main Menu. Refer to the user's manual of the PC 540.
- The LCD shows the Input E1 to E4 Status with 4 arrows.  
These arrows indicate the direction of the transmission or receive of the timing information from one Chronoprinter 540 to another. They can be modified by the function E1 – E4.  
It is possible to receive at the Start the Finish Time and at the Finish, the Start times.  
Both CP 540's will receive all information to edit results and ranking.

Example with one CP 540 at the start and another at the Finish:  
Timing Mode: **NET TIME**

CP 540 at the Start:

- With E1, program an outgoing arrow (↑) to transmit the times of the Start to the Finish.
- With E2 and E3, program « — », because these are used to transmit or receive data
- With E4, program the entering arrow (↓) to receive the arrival time.

CP 540 at the finish:

- With E1, program an entering arrow (↓) to receive the Start times to the Finish.
- With E2 and E3, program « — », because these are used to transmit or receive data
- With E4, program the outgoing arrow (↑) to transmit the Finish time.

- Validate the setting
- LCD Display shows the Docking Status
- Exit the Menu (F).
- Choose **Modem** on the CP540 which calls the other CP540. Validate
- Compose the phone number of the second CP 540, and validate.
- **Call Modem** is printed on the « caller » CP 540.
- **Income Call** is printed on the « called » CP 540.
- **Connection Established** is printed on both CP 540's, when the bidirectional communication is established.

#### **ATTENTION**

The GSM connection can sometimes be difficult to establish. If the connection Start – Finish is not established after 3 or 4 automatic calls, you can try to call the Start from the Finish, or switch GSM OFF and then ON again on both systems.

There also exists on the market GSM antennas to ensure better communication.

The main menu has the indication « DOCKING ».

It is possible to check the status at anytime (or battery status, GPS Active or number of satellites).

#### **Important information**

- In the menu **Docking**, you will have access to **GSM Hang Up**. Use this option to close the communication if you don't need the communication for a long period (to save cost of communications).  
To restore the communication, use **Modem** on one of the system.
- In case of temporary lost GSM communication (or poor reception of signal), the « caller » system will try automatically to re-establish the communication. All timing information not already transferred are automatically stored and will be transmitted when the connection is re-established.

## 7. How to insert the SIM Card in the Docking

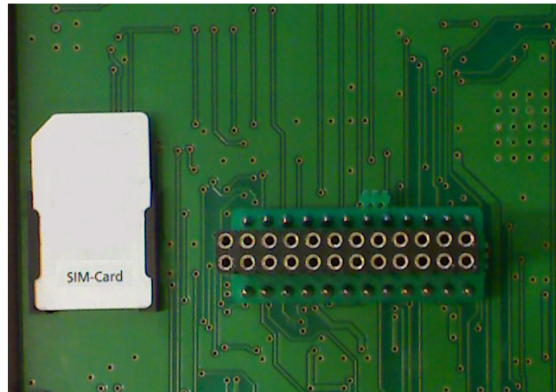
---

Use a Standard SIM Card (annual subscription) or with pre-payment.

To guarantee a bidirectional communication between CP 540's, it is necessary to have two GSM Docking stations, with SIM cards with a different telephone number.

Proceed to the following steps:

- Unscrew the 5 screws on the back of the Docking with a Phillips screwdriver N° 1.
- Carefully, remove the upper cover.
- Place the SIM Card from the top into the support, with the 45° angle at Top Left. Push the card gently downwards.



- Replace the upper cover, return the Docking and secure gently the 5 screws while checking that the two parts are well positioned. Press on the top of the Docking when you tighten the screws.

### **WARNING**

Tighten all the screw slightly then, while being conscious that you screw in plastic, tighten a little more, without over tightening (risk of damage to the plastic).

We advise against the repeated opening and the closing of the Docking.

For the Pre-paid SIM Card, it is generally possible to top-up the SIM Card via the internet.

Choose a telecom company with wider broadcast coverage.

It is also possible to have a SIM Card with an annual subscription.

Do not forget to write your phone number on the back of the Docking, even if it is memorized in the Chronoprinter 540.

Do not cross CP 540 and Docking !

Suggestion: place a small sticker green on the CP 540 and Docking for the Start and red for the Finish.

## 8. Information

---

- ⇒ The GSM – GPS Docking has « banana » output connector to provide a signal TOP-MINUTE which is useful to synchronize other timing systems.
- ⇒ If the GPS is used only for the CP 540, it is recommended to wait 4 – 5 mins before to switching it OFF (« memorize » the GPS precision)
- ⇒ The GSM – GPS Docking has an Input / output « Master / Slave ». This mode of synchronization between several CP 540's is very useful for the timekeeper, to guarantee absolute precision between different systems.

For example: System A (Master) and the back-up system B (Slave).

Connect the CP 540 A « Master » to CP 540 B « Slave » with the special cable HL540-11.

The CP 540 A is synchronized with the Time of Day, manually or with GPS.

The CP 540 B is automatically synchronized by the CP 540 A by choosing Master/Slave in the Synchro Menu.

If the Main system A is disconnected or communication fails, the back-up system B will operate with its own time of base.

The Drift (DEV) described later « Synchronization by GPS » is also into the mode. Thus, if the Main System A is again operational, it will take its main function as Master if the Drift is lower that 100  $\mu$ sec. All information is of course printed.

## 9. How to charge the Docking accumulator

---

- The Docking could be charged alone or connected to a CP 540.
- Charge the docking with the power supply HL 540-1 from the CP 540
- Connect the power supply to the POWER connector of the Docking (connector 3 poles).
- The LED located at the bottom of the Docking allows you to see the charging status.
  - LED is red during the charge (6 hours for a complete charging)
  - LED is green when the docking is fully charged
- When the CP 540 is used with the Docking, the external power supply should be connected to the CP 540.

### **WARNING**

The Docking should be not charged with a temperature lower that 0°C / 32°F.

### **Remark:**

The charging status of the Docking is displayed on the CP540 LCD if charged together.

If the Docking is too discharged, the batteries of the CP 540 will power the system. If the power is too low, the Time on the LCD will flicked and the printer will print « Low battery » before to switching OFF automatically.

When the charge indicator of the Docking shows 50% on the LCD (Docking Menu), you still have at least 4 hours of autonomy.

## 10. Technical specification

---

### General

- Operating condition -20°C to +60°C
- External power supply 12Vdc
- Top minute output (optocoupler)
- Connector IN / OUT for Master / Slave (2 x RJ13)

### Accumulator

- Type 7.4V Li-Po 2700mAh
- Charging condition 0° to +40°C
- Charging current 500mA (~5.5 hours)

### GPS

- Precision +/- 50 n seconds (+/- 50 x 10<sup>-9</sup> sec)
- Current consumption when activated 30 mA (when GPS is activated)
- 12 channels, continuous tracking receiver.
- Connector for external antenna

### GSM

- Quad-band EGSM 850 / 900 / 1800 / 1900 MHz
- Output Power
  - Class 4 (2W) from 850 / 900 MHz
  - Class 1 (1W) from 1800 / 1900 MHz
- Data transmission
  - CDS, 9600 Bds, V.92, V.110 (Modem)
  - GPRS Class 10
- Standby consumption : ??
- Average consumption in Modem Mode: ??
- Average consumption in GPRS mode: ??
- Connector for external antenna



# **TAGHeuer**

PROFESSIONAL TIMING

**TAG Heuer**  
**PROFESSIONAL TIMING**

6A Louis-Joseph Chevrolet  
2300 la Chaux-de-Fonds  
Switzerland

Tel : 032 919 8000  
Fax : 032 919 9026

E-mail: [info@tagheuer-timing.com](mailto:info@tagheuer-timing.com)  
**[Http: //www.tagheuer-timing.com](http://www.tagheuer-timing.com)**